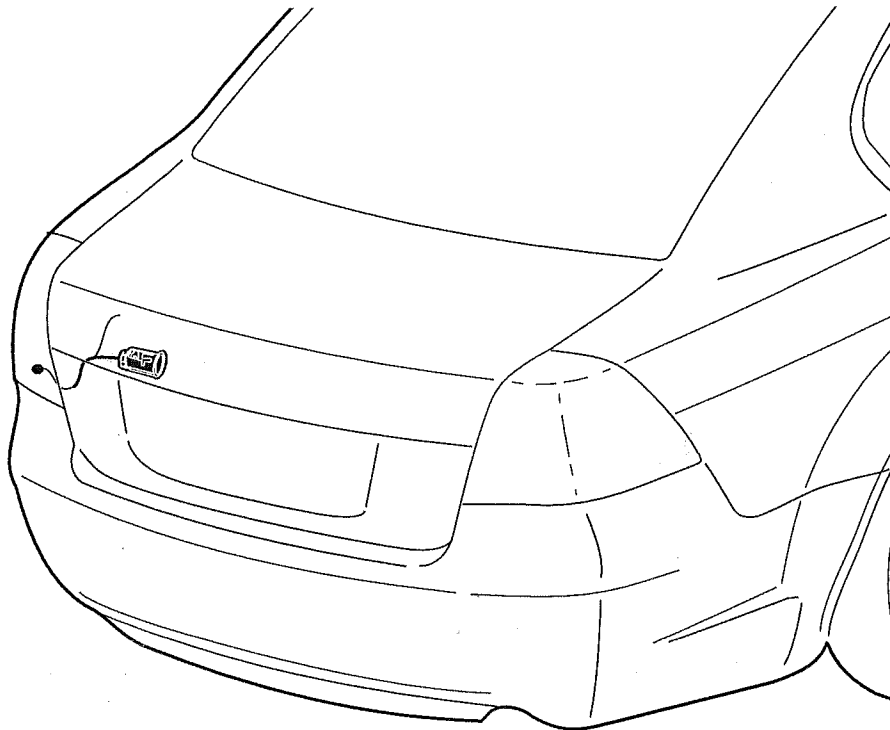




**HOLDEN**

**FITTING INSTRUCTIONS FOR  
VE COMMODORE  
BOOT POWER SOCKET KIT  
Part No. 92186334**



**TOOLS REQUIRED:**

Small flat bladed screwdriver, Knife, Trim release tool, 10mm socket, Ratchet and side cutters.

**FITTING INSTRUCTIONS:**

1. Open the rear luggage compartment and remove the spare wheel cover.
2. Use a trim release tool to remove the fir tree clips (1) (2 each end) at the ends of the rear trim panel inside the luggage compartment. Remove the rear trim panel by pulling upwards and place to one side. Refer to Figure 1.

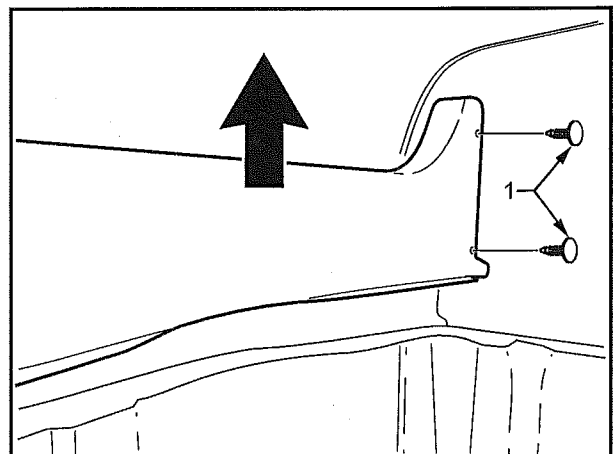


FIGURE 1

FD1372  
10AP08

**COPYRIGHT**  
Reproduction in whole or part  
prohibited without written approval



**HOLDEN**

## FITTING INSTRUCTIONS FOR VE COMMODORE BOOT POWER SOCKET KIT

**FITTING INSTRUCTIONS:** continued...

3. Use a trim release tool to remove the fir tree clips (1) and the carpet tongue (2) from the body recess holding the LHS compartment liner to the side of the vehicle. Pull liner out of the way. Refer to Figure 2.

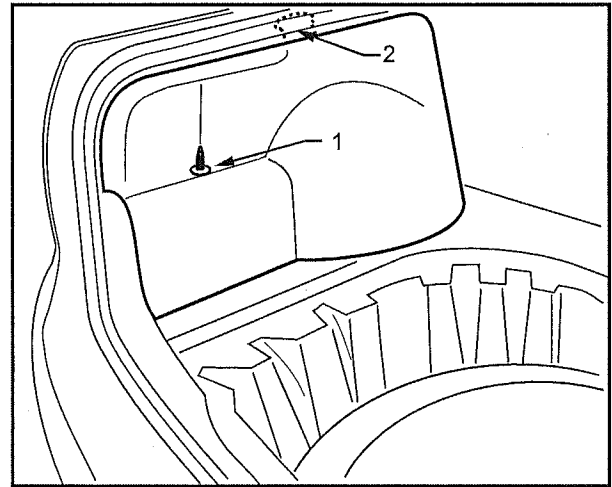


FIGURE 2

Refer to Figure 3 for the following:

4. Check the scale on the template found on the last page of these instructions. Cut the template (1) out and position on the inside of side trim as indicated on the template.
5. Use a knife to cut out the hole (2) for the power socket.

**IMPORTANT:** Accuracy when cutting out the hole and notch is critical for the correct seating of the power socket bezel.

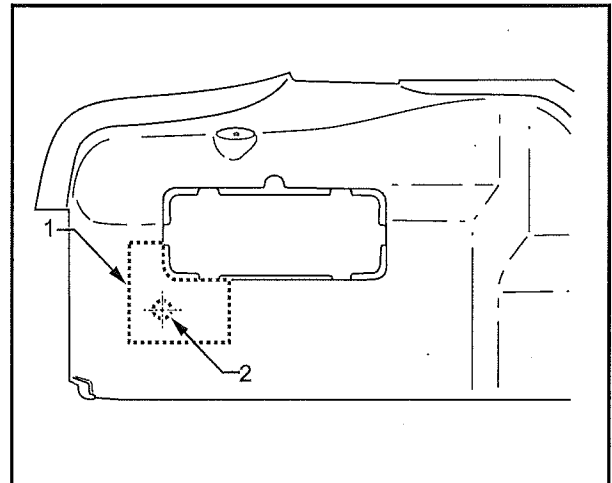


FIGURE 3

6. Raise to release the luggage compartment fuse box assembly retaining clip (1) (see view A) on the forward face of the fuse box (2) and slide the fuse box to the front of the vehicle to release the fuse box from its mounting bracket (3). Refer to Figure 4.

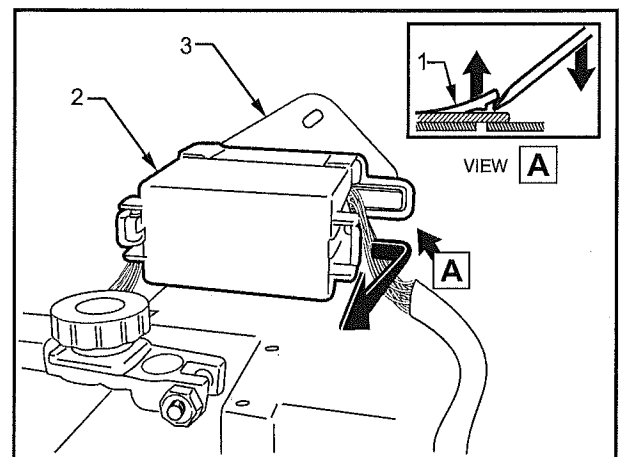


FIGURE 4

FD1372  
10AP08

**COPYRIGHT**  
Reproduction in whole or part  
prohibited without written approval



**HOLDEN**

# FITTING INSTRUCTIONS FOR VE COMMODORE BOOT POWER SOCKET KIT

**FITTING INSTRUCTIONS:** continued...

- 7. Use a small flat bladed screwdriver (1) to release the fuse box stand (2) off from the body of the fuse box. Refer to Figure 5.

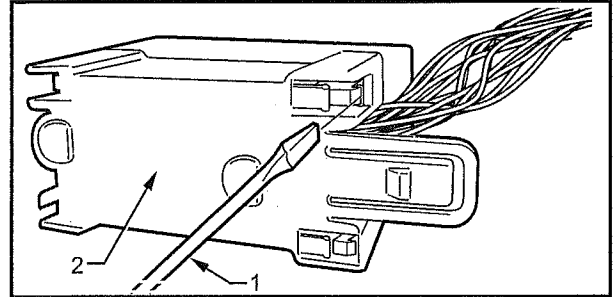


FIGURE 5

- 8. Push the screwdriver in behind the back-out safety lock (1) and remove the back-out safety lock. Refer to Figure 6.

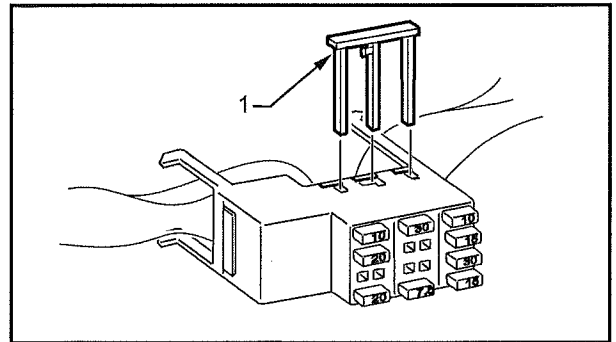


FIGURE 6

- 9. Insert the fuse terminal (1) on the power harness into the vacant position at fuse position F8 (2). Refer to Figure 7.
- 10. Refit the back-out safety lock into the fuse box and refit the mounting bracket.

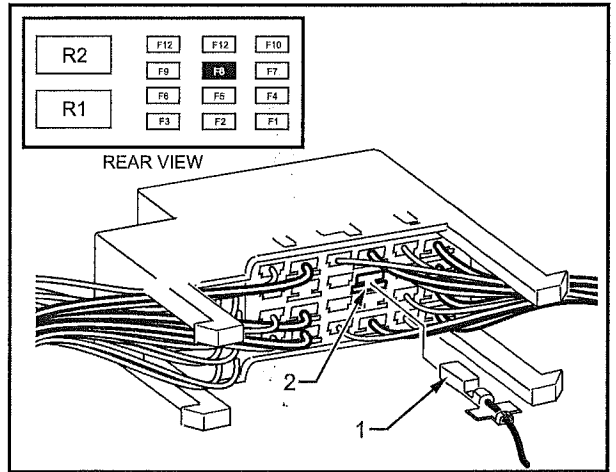


FIGURE 7

- 11. Fit the power harness earth wire (1) behind the LHS light cluster retaining nut (2). Refer to Figure 8.

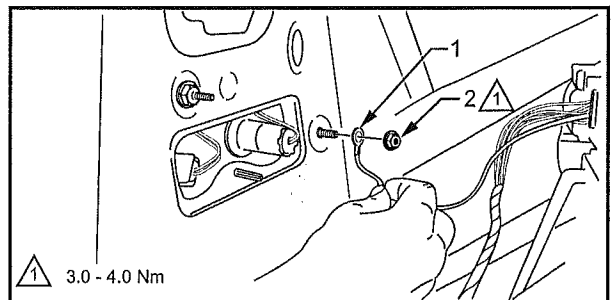


FIGURE 8

FD1372  
10AP08

**COPYRIGHT**  
Reproduction in whole or part  
prohibited without written approval



**HOLDEN**

# FITTING INSTRUCTIONS FOR VE COMMODORE BOOT POWER SOCKET KIT

**FITTING INSTRUCTIONS:** continued...

- 12. Fit the 20 Amp fuse (1) supplied into the fuse position F8 (2) of the fuse box. Refer to Figure 9.
- 13. Loosely refit side trim (1) in position.

Refer to Figure 10 for the following:

- 14. Fit the power socket bezel (1) to the power socket cap (2). Position the cap to hang straight down. Fit the bezel assembly into the battery tray power socket mounting hole (3).

**IMPORTANT:** Ensure the carpet is not deformed when the bezel is fitted in the carpet and that the step in the retaining ring of the cap is aligned with the notch in the carpet.

- 15. Whilst hold the bezel and cover in position. Ensure the swage (4) down the side of the socket (5) is aligned with the notch (6) on the inside of the bezel and push the socket assembly into the bezel.

**IMPORTANT:** Failure to install the bezel into the mounting hole prior to installing the socket into the bezel and failing to aligning the swage with the notch in the bezel will cause the bezel to break.

**NOTE:** Trim removed for clarity.

Refer to Figure 11 for the following:

- 16. Connect the socket connector (1) to the two-way electrical connector (2) on the other end of the power harness previously fitted. Wrap the connector in the adhesive backed foam pad (3).
- 17. Cable tie (4) the harnesses along the vehicle body harness.
- 18. Refit all parts removed in reverse order.
- 19. Place the fitting instructions in the glovebox of the vehicle.

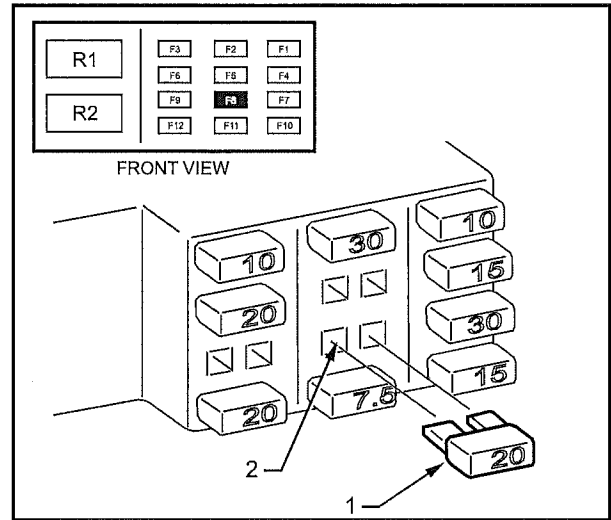


FIGURE 9

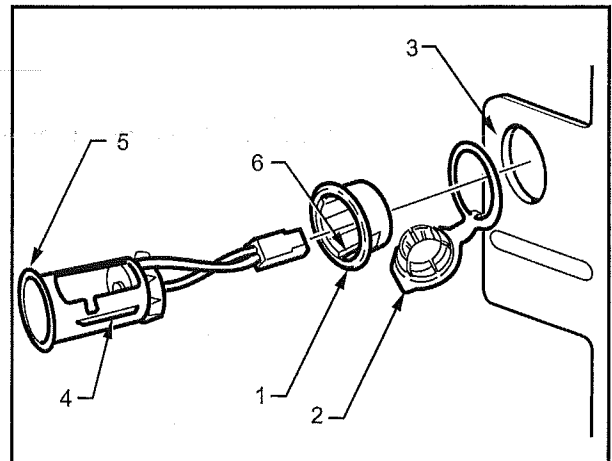


FIGURE 10

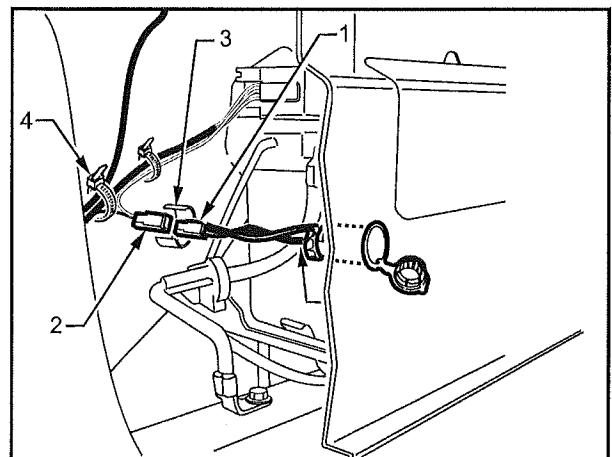


FIGURE 11

### PARTS LIST

PART No	DESCRIPTION	QUANTITY
92186334	BOOT POWER SOCKET	1
92184790	ACCESSORY SOCKET ASM.	1
92181874	SOCKET	1
92181873	BEZEL	1
NS	POWER SOCKET HARNESS	1
NS	SMALL PARTS KIT	1
FD796	PROOF OF WARRANTY CARD	1
FD1372	FITTING INSTRUCTIONS	1

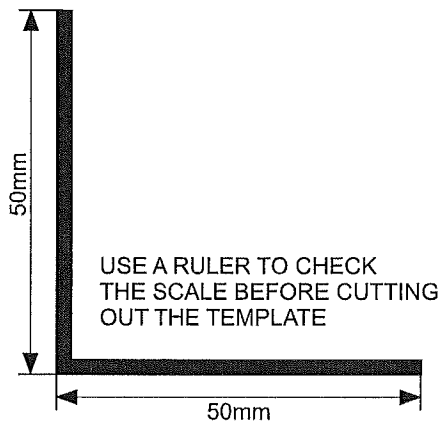
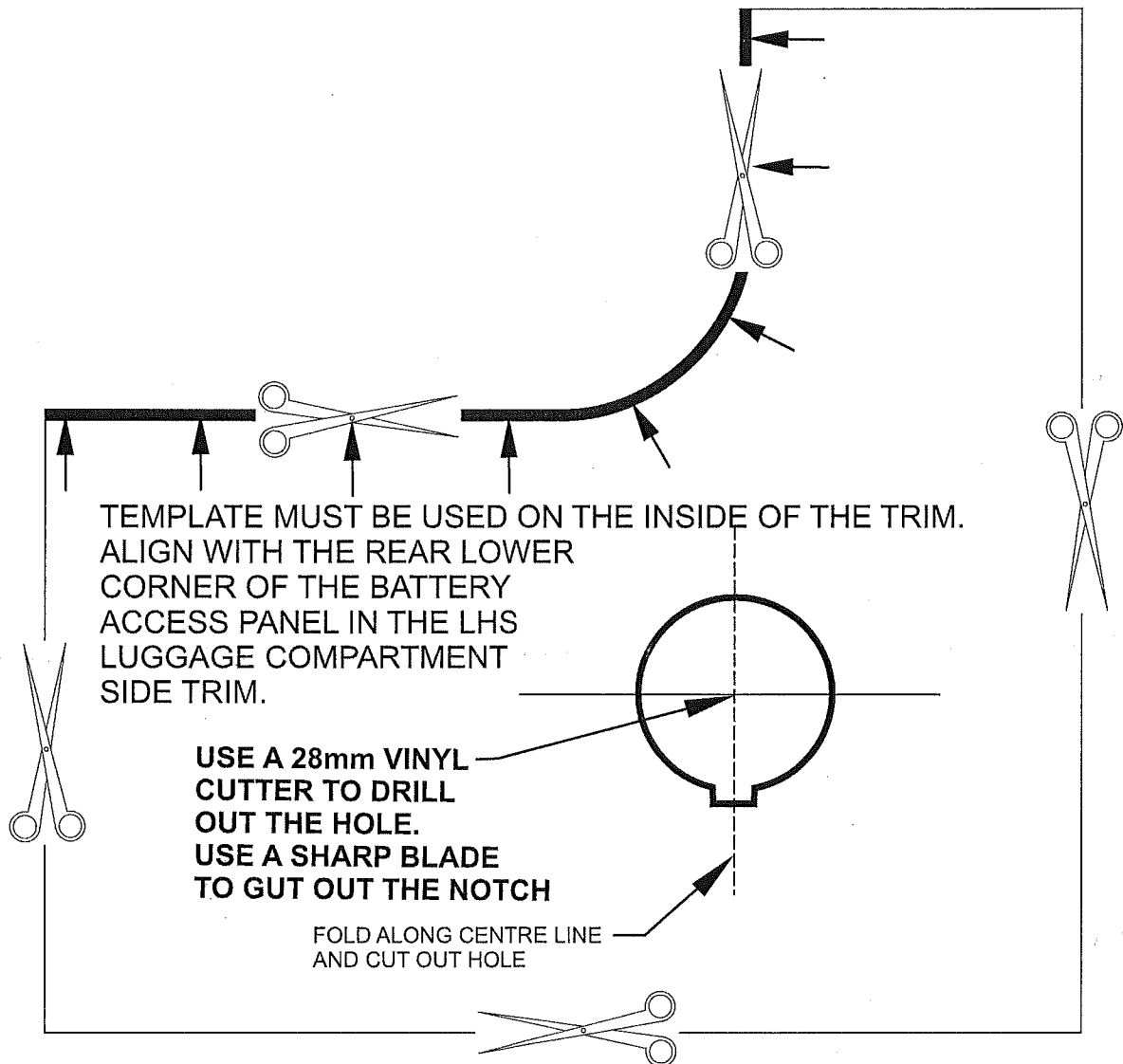
FD1372  
10AP08

**COPYRIGHT**  
Reproduction in whole or part  
prohibited without written approval



**HOLDEN**

# FITTING INSTRUCTIONS FOR VE COMMODORE BOOT POWER SOCKET KIT



**FD1372  
10AP08**

**COPYRIGHT**  
Reproduction in whole or part  
prohibited without written approval